

# Technical Data

## Shelving





- Push-together system with wide functionality
- Modular system - can be extended as required
- Multilevel systems up to 8 metres in height
- Shelving levels: Steel base or panels
- Unit widths up to 1695 mm
- Extensive accessory range
- Simple installation

- (1) Frame support
- (2) Cross beam
- (3) Foot plate
- (4) Shelf levels

Heights (mm) (standard)	Multilevel (mm)	Widths (mm)	Depths (mm)	Special dimensions (mm)	Shelving loads (kg)	Unit loads (kg)
2.000/2.500/3.000	available up to 8.000	875/1.005/ 1.285/1.695 (axial dimensions)	300/400/500/ 600/800	350 + 700	150/250/350	2.000 - 3.500

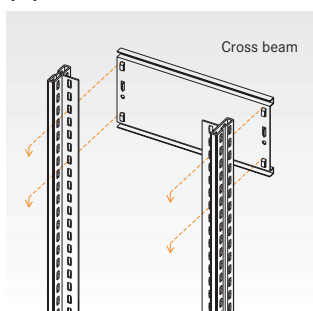
Any desired shelving variant can be individually assembled from the shelving components. Shelving may be easily extended using the base and attachment units

### (1) Frame support



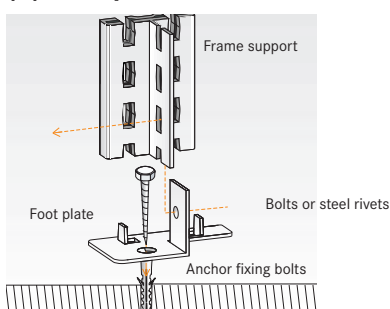
The frame support is a galvanized T-profile. With slots at increments of 25 mm, any desired arrangement of the shelving levels can be achieved. The shelving frames can be combined into the desired product using cross beams, closed side walls or mesh walls.

### (2) Cross beam



If the shelving height exceeds five times the shelving depth, the shelving must be protected against tipping - e.g. using wall fixings (in solid walls with extraction value of 150 N - corresponds to around 15 kg), by bolting together (cross bracing), or through bolts in the floor.

### (3) Foot plate



Foot plate (steel foot) bolted or riveted

## (4) Shelving levels

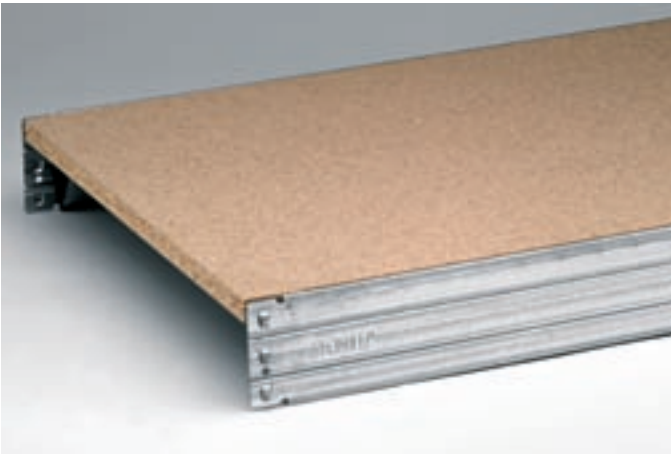
### Steel Shelves



The following shelving levels can be used:

- Steel shelving** for loads of 150, 250 and 350 kg.
- 40 mm tubular edge for maximum stability and safety
  - shelf bracing with cross diagonals or with longitudinal bars to provide shelf access from both sides

### Panels



- Panels** (stepped bars and insert floors Span V20E1.16 mm) for compartment loads of 250 and 350 kg.
- Unit widths up to 1695 mm for maximum cost-efficiency
  - no additional bracing required
  - stepped bars and longitudinal members for tyres/wheels and sundry parts storage, e.g. with grid pans

### Shelving pan



Shelving pans or grids can be used for environmentally-friendly and professional storage of water-hazardous fluids and hazardous substances in small containers.

The catchment volume is 20 l per shelving pan.

### Grid levels



The grid levels combined with the base pans ensure the safe and environmentally-friendly storage of fluid containers. Any leaking fluids are safely captured in the floor pans. The catchment volume is 40 l or 210 l. Additional safety is ensured by using a larger size than is nominally required.



## Your contact

STILL GmbH

Berzeliusstraße 10

D-22113 Hamburg

Telephone: +49 (0)40/73 39-2000

Telefax: +49 (0)40/73 39-2001

info@still.de

**For further information please visit:**

**[www.still.de](http://www.still.de)**

STILL Materials Handling Ltd.

Aston Way, Leyland

Lancashire PR26 7UX

Telephone: +44 (0)1772 644300

Telefax: +44 (0)1772 644303

info@still.co.uk

**For further information please visit:**

**[www.still.co.uk](http://www.still.co.uk)**