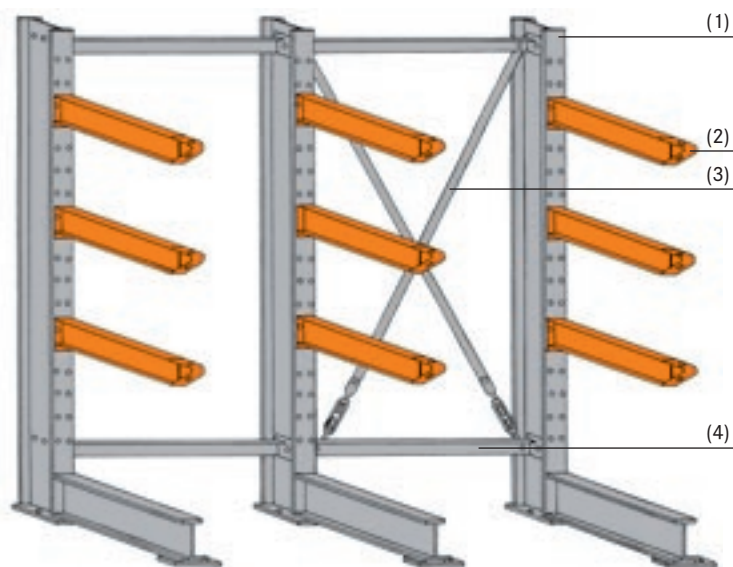




Technical Data

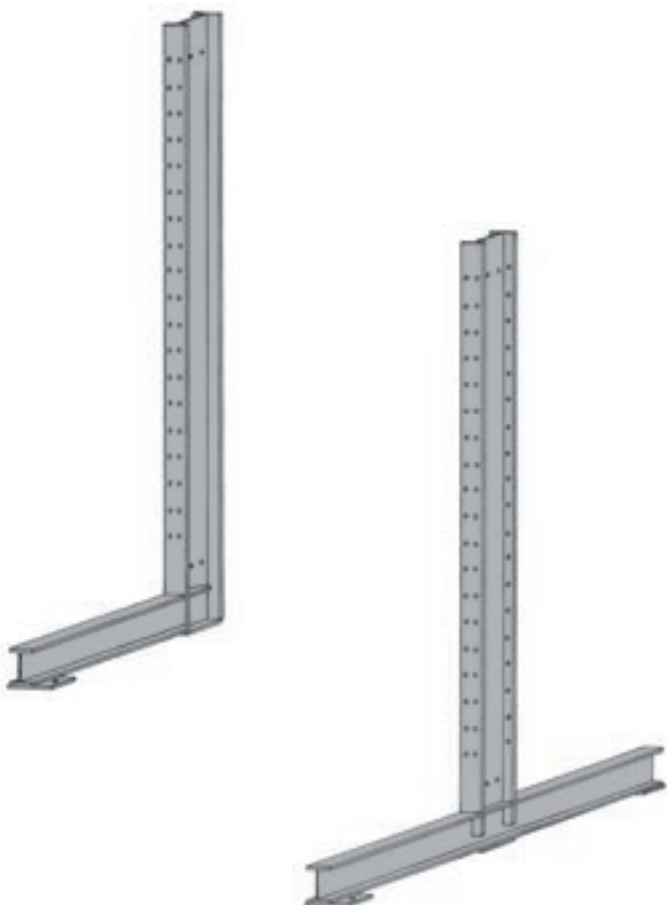
Cantilever rack





Cantilever racks are not standard racks, but customer-specific solutions. Any size and loading is possible.

- | | |
|-------------------------------------|-----------------------|
| (1) Rack uprights with support foot | (3) Cross bracing |
| (2) Cantilever arms | (4) Longitudinal ties |



(1) Rack uprights with support foot

- Single- or double-sided design
- Size and design depend on the desired load and the static requirements
- Perforation up to the highest measured shelf level
- Standard foot with holes for anchoring to floor, profile corresponds to upright profile

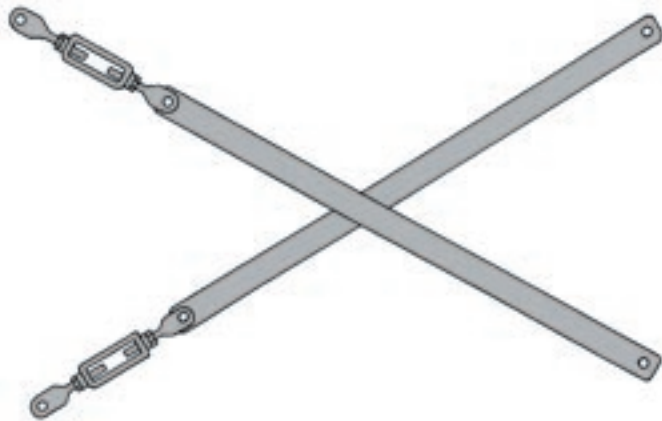
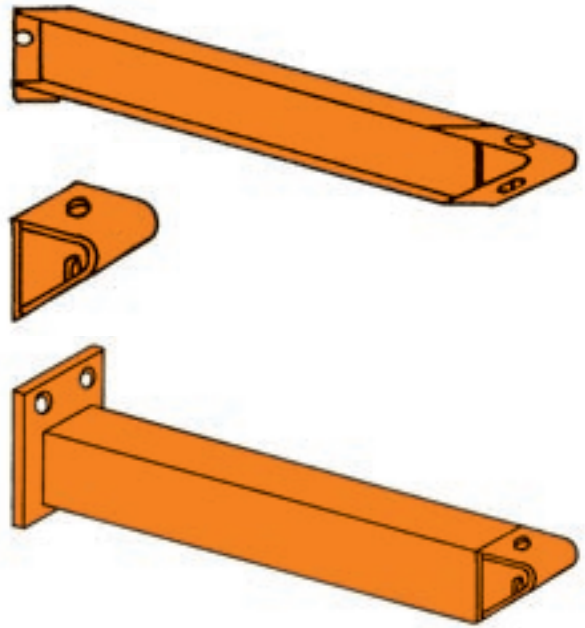
Height matrix

- For simple adjustment of bay heights
- Standard height matrix: 100 mm
- Other spacings are possible on request.

(2) Cantilever arms

- Thickness of IPE profile is calculated according to length and loading
- Bolted construction
- Bumper protection is fitted to each cantilever arm as standard
- with hole to accept roll protection

For very light or small items, cantilever arms of rectangular tube can be supplied.

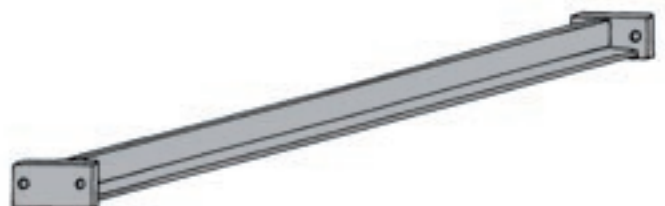


(3) Cross bracing

- Flat steel with adjustable clamp pivots for longitudinal reinforcement of the rack
- Normally loaded, fitted to every fifth or sixth bay; at least one cross-brace per rack
- For rack units over 4000 mm high, double fitment at the level

(4) Longitudinal ties

- Angle steel profile as a spacer between uprights
- Profile thickness calculated statically
- Length of longitudinal ties depends on items stored
- The more the items stored flex, the shorter the longitudinal ties must be





Your contact

STILL GmbH

Berzeliusstraße 10

D-22113 Hamburg

Telephone: +49 (0)40/73 39-2000

Telefax: +49 (0)40/73 39-2001

info@still.de

For further information please visit:

www.still.de

STILL Materials Handling Ltd.

Aston Way, Leyland

Lancashire PR26 7UX

Telephone: +44 (0)1772 644300

Telefax: +44 (0)1772 644303

info@still.co.uk

For further information please visit:

www.still.co.uk